

1. Eitan manual filters.....	Pg 2-7
2. Eitan compact filters.....	Pg 8-12

Eitan Manual Filters

TAVLIT offers a range of disc and screen filters, available in sizes: 3/4"; 1", 1.5"; 2"

Applications:

- Water filtration for AG, Turf.
- Domestic and industrial application.

Features:

- Easy maintenance.
- Unique: Swivel quick installation.
- Chemical and fertilizer resistant.
- Interchangeable filtration elements:
- Disc and Screen elements fit same filter body.



Technical Specifications

- Max. Working pressure: 10 bar (140 psi).
- Threads: B.S.P.T or N.P.T.
- Available Sizes: 20-50 mm (3/4"-2").
- Flow rates: 3-20 m³/hr. (13-88 gpm).
- Filtration elements: Disc / Nylon and stainless
 - steel screen.
- Filtration range: 40-200 mesh.
- All Filters are available in male and swivel connections.



Element Type and Mesh color code

Screen Filter

Mesh/Micron	40/425	80/200	120/120	140/105	155/90	200/70
Polyester Screen	Dark Blue	Light Blue	Red	White	Green	Purple
Stainless Steel Screen	White	Light Blue	Red	White	Green	Purple
Discs	Blue	Yellow	Red	Black	White	White

Mesh Count per Square inch.

Microns in approximate values and may vary between element type

Technical Data

Metric units:

Model	20 mm (3/4")	25 mm (1")	40 mm (1 1/2")	50 mm (2")
Flow rate (m ³ /h)	3	5	15	20
Screen Filter Area (cm ²)	96	96	552	670
Disc Filter Area (cm ²)	180	180	385	488
Nylon Screen Mesh Range	40-200	40-200		
Stainless Steel Mesh Range	80-200	80-200	80-200	80-200
Disc Mesh Range	80-140	80-140	40-140	40-140
Weight with screen (kg)	0.21	0.21	1.1	1.13
Weight with discs (kg)	0.3	0.3	1.35	1.5

US Units:

Model	3/4"	1"	1 1/2"	2"
Flow rate (gpm)	13	22	66	89
Screen Filter Area (inch ²)	14.90	14.90	85.60	104
Disc Filter Area (inch ²)	27.90	27.90	59.70	75.60
Nylon Screen Mesh Range	40-200	40-200		
Stainless Steel Mesh Range	80-200	80-200	80-200	80-200
Disc Mesh Range	80-140	80-140	40-140	40-140
Weight with screen (lb)	0.46	0.45	2.4	2.5
Weight with discs (lb)	0.66	0.66	3	3.3

Head loss at 120 mesh in meters, 0.1 bar (psi)

Screen Filters:

Flow Rate		3/4" (20 mm)		1" (25 mm)	
m ³ /h (gpm)		meter, 0.1 Bar (psi)			
1	(4.4)	0.05	(0.07)	0.02	(0.03)
2	(8.8)	0.11	(0.16)	0.06	(0.09)
3	(13.2)	0.17	(0.25)	0.10	(0.15)
4	(17.6)	0.30	(0.44)	0.18	(0.26)
5	(22.0)	0.47	(0.68)	0.30	(0.44)
6	(26.4)	0.70	(1.02)	0.45	(0.65)

Flow Rate		1 1/2" (40 mm)		2" (50 mm)	
m ³ /h (gpm)		meter, 0.1 Bar (psi)			
5	(22.0)	0.30	(0.44)		
6	(26.4)	0.4	(0.58)		
7	(31.0)	0.6	(0.87)	0.30	(0.44)
8	(35.2)	0.8	(1.16)	0.35	(0.51)
9	(26.4)	0.95	(1.38)	0.5	(0.73)
10	(44.0)	1.2	(1.74)	0.65	(0.94)
12	(53.0)	1.4	(2.0)	0.8	(1.16)
14	(61.6)	1.7	(2.47)	1.0	(1.45)
16	(70.4)	2.2	(3.19)	1.3	(1.89)
18	(79.2)	2.8	(4.06)	1.6	(2.32)
20	(88.0)	3.5	(5.08)	2.0	(2.90)

Disc Filters:

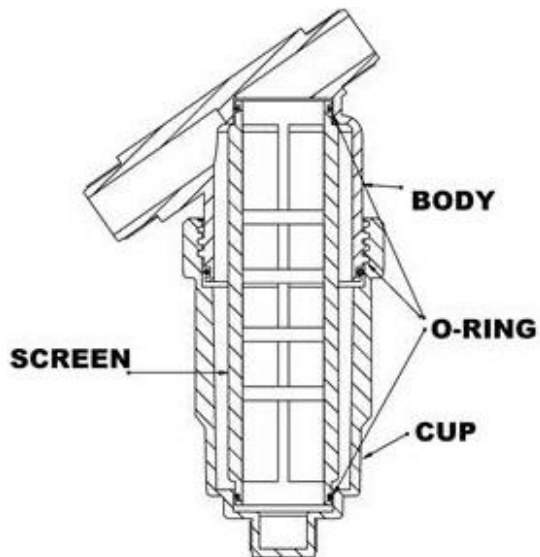
Flow Rate		3/4" (20 mm)		1" (25 mm)	
m ³ /h (gpm)		meter, 0.1 Bar (psi)			
1	(4.4)	0.07	(0.10)		
2	(8.8)	0.2	(0.29)	0.1	(0.15)
3	(13.2)	0.4	(0.58)	0.2	(0.29)
4	(17.6)	0.64	(0.93)	0.3	(0.44)
5	(22.0)	1.0	(1.45)	0.5	(0.73)
6	(26.4)			0.82	(1.19)

Flow Rate		1 1/2" (40 mm)		2" (50 mm)	
m ³ /h (gpm)		meter, 0.1 Bar (psi)			
2	(8.8)	0.1	(0.15)		
3	(13.2)	0.2	(0.29)	0.1	(1.15)
4	(17.6)	0.35	(0.51)	0.24	(0.35)
5	(22.0)	0.45	(0.65)	0.38	(0.55)
6	(26.4)	0.8	(1.16)	0.5	(0.73)
7	(31.0)	1.1	(1.60)	0.7	(1.0)
8	(35.2)	1.5	(2.18)	0.95	(1.38)
9	(40.0)	1.9	(2.76)	1.25	(1.81)
10	(44.0)	2.2	(3.19)	1.55	(2.25)
12	(53.0)	2.9	(4.21)	2.0	(2.90)
14	(61.6)	3.7	(5.37)	2.4	(3.48)
16	(70.4)	4.5	(6.53)	3.0	(4.25)
18	(79.2)	6.6	(9.57)	4.3	(6.24)
20	(88.0)	9.0	(13.0)	7.0	(10.15)

Materials

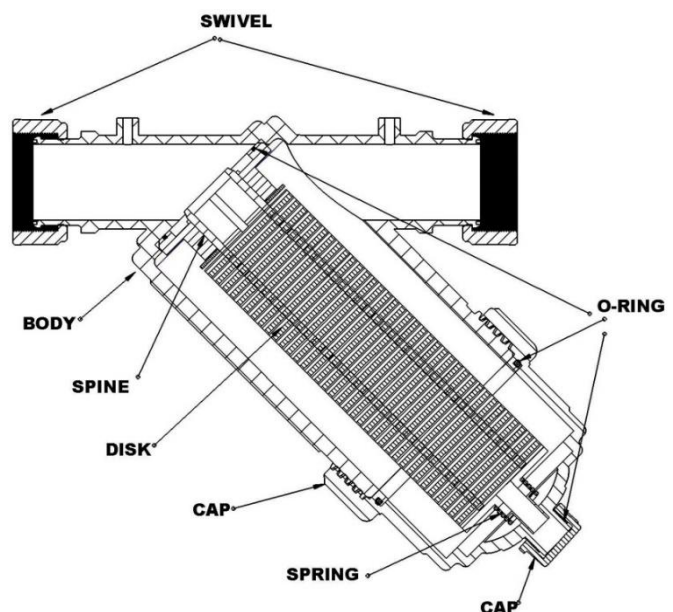
Screen Filters:

- Body: P.P.
- Screen: Stainless steel or Polyester.
- O-Rings: EPDM.



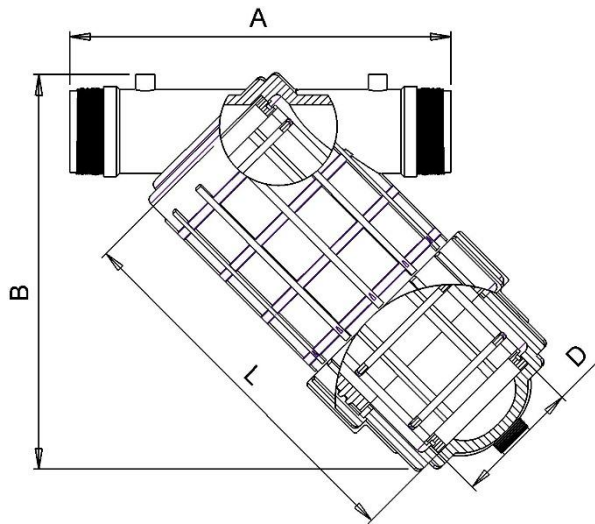
Disc Filters:

- Body: P.P.
- Spin: P.P.
- Cup: P.P.
- Disk: P.P.
- Sleeve: P.P.
- Spring: Stainless Steel.
- O-Rings: EPDM.

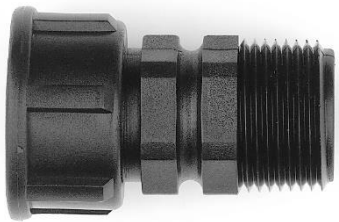


Physical Dimensions

Physical dimensions								
	A		B		L		D	
Model	mm	inch	mm	inch	mm	inch	mm	inch
3/4"-1" (20-25 mm)	121	4.76	160	6.30	153	6.00	31	1.22
1 1/2" (40 mm)	257	10.10	240	9.45	220	8.70	80	3.15
2" (50 mm)	257	10.10	270	10.60	265	10.40	80	3.15



On Line Filter Connections



M/F Swivel Filter Connector



On Line Filter Female/Barb Adaptor

Eitan Compact Filters

Compact Filters 1½" - 2"

TAVLIT expands its filters line with two new filter sizes which combine high quality filtration and a compact body.

The filters are offered in 1½" and 2" size and with male threads or swivel connections.

Applications:

- Water filtration for AG, Turf.
- Applicable when medium - low flow rates are used.
- Domestic and industrial application.

Features:

- Easy maintenance.
- Unique: swivel quick installation.
- Filters are supplied with drain cap and two pressure testing ports.
- Filters can be supplied with drain valve.
- Chemical and fertilizer resistant.
- Interchangeable filtration elements:
- Disk and Screen elements fit same filter body.
- A special handle for easy opening and closing the filters can be supplied.



Technical Specifications

- Max. Working pressure:
1 ½"-2" - 10 bar (140 psi).
- Threads: B.S.P.T or N.P.T.
- Available Sizes: 40 - 50 mm (1½"-2").
- Flow rates: 15-20 m³/h (66 - 88 gpm).
- Filtration elements:
 - Screen, Discs.
- Filtration range: 40 - 200 mesh.



Unique: Swivel Connectors

Technical Data

Model	Metric Units		US Units	
	40 mm (1½")	50 mm (2")	1½"	2"
Flow rate	15 (m³/h)	20 (m³/hr)	66 (gpm)	89 (gpm)
Screen Filter Area	420 (cm²)	420 (cm²)	65 (inch²)	65 (inch²)
Disc Filter Area	290 (cm²)	290 (cm²)	45 (inch²)	45 (inch²)
Stainless Steel Mesh Range	80 - 200	80 - 200	80 - 200	80 - 200
Disc Mesh Range	40 - 140	40 - 140	40 - 140	40 - 140
Weight with screen	0.85 (kg)	1.00 (kg)	1.90 (lb)	2.20 (lb)
Weight with discs	1.10 (kg)	1.25 (kg)	2.40 (lb)	2.80 (lb)

Element Type and Mesh color code

Mesh/Micron	40/425	80/200	120/120	140/105	155/90	200/70
Stainless Steel screen		Light blue	Brown		Green	Purple
Discs	Light blue	Yellow	Red	Black		

Mesh Count per Square inch.

Microns in approximate values and may vary between element types

Head loss at 120 mesh in meters, 0.1 bar (PSI)

Screen Filters:

Flow rate (m ³ /h)		1½" (40mm)		2" (50 mm)	
m ³ /h	(gpm)	Meter, 0.1 Bar (psi)			
5	(22)	0		0	
8	(35)	0.4	(0.6)	0.1	(0.14)
12	(53)	1.3	(1.9)	0.3	(0.40)
15	(66)	2.4	(3.5)	0.8	(1.20)
18	(79)	2.5	(3.6)	1.0	(1.40)
20	(88)	4.5	(6.5)	1.3	(1.90)
25	(110)			1.9	(2.70)
28	(123)			3.3	(4.80)

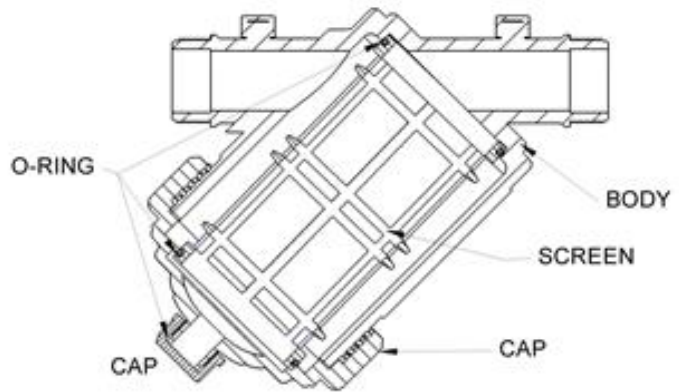
Disk Filters:

Flow rate (m ³ /h)		1½" (40 mm)		2" (50 mm)	
m ³ /h	(gpm)	Meter, 0.1 Bar (psi)			
5	(22)	0		0	
8	(35)	0.6	(0.9)	0.2	(0.3)
12	(53)	2.3	(3.3)	1.5	(2.2)
15	(66)	4.0	(5.8)	2.5	(3.6)
18	(79)	6.0	(8.7)	4.0	(5.8)
20	(88)	7.5	(11.0)	5.0	(7.2)
25	(110)			7.4	(11.0)
28	(123)			9.0	(13.0)

Materials

Screen Filter:

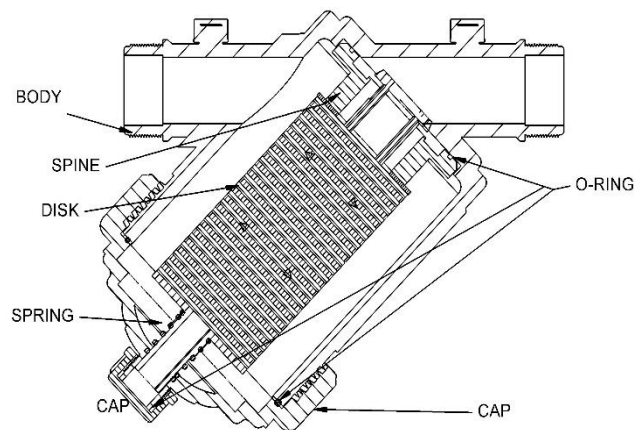
- Body: P.P.
- Screen: Stainless steel 316.
- O-Rings: EPDM.



Screen Filter 1½" - 2"

Disc Filters:

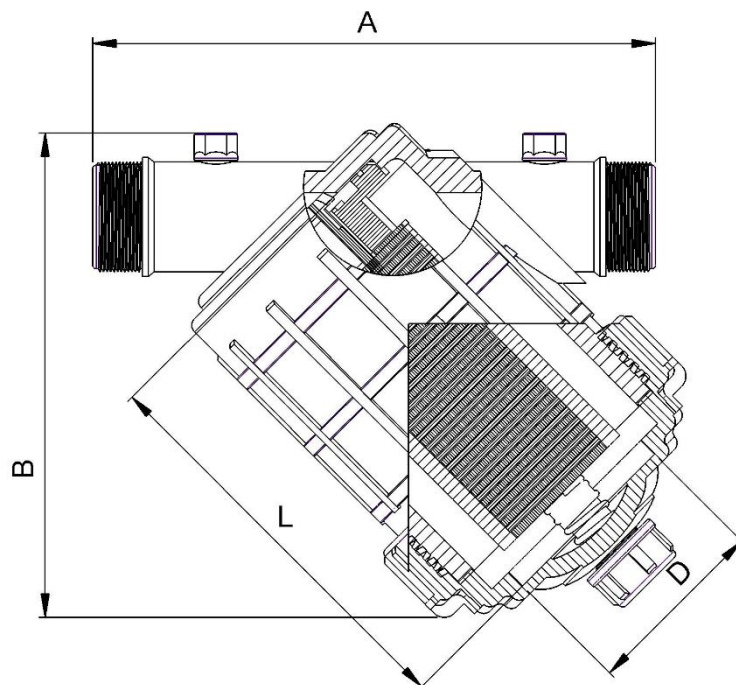
- Body: P.P.
- Spine: P.P.
- Cup: P.P.
- Disk: P.P.
- Sleeve: P.P.
- Spring: Stainless Steel 316.
- O-Rings: EPDM.



Disc Filters 1½" - 2"

Physical Dimensions

Physical Dimensions	A		B		L		D	
Model	mm	inch	mm	inch	mm	inch	mm	inch
1½" (40 mm)	257	10.10	220	8.70	170	6.70	80	3.15
2" (50 mm)	257	10.10	220	8.70	170	6.70	80	3.15



Screen Filter 1½" - 2"