

Lay - Flat Start Connectors

TAVLIT offers a range of start connectors for lay-flat pipes, for easy connection of drip lines or tape to the lay-flat main pipe.

Super starters are press fit style and allow the line to be dismantled easily from starter at the end of the season. The starter base low profile enables the user to roll the lay-flat pipe with the starters on them in a compact manner and store easily while saving considerable space.

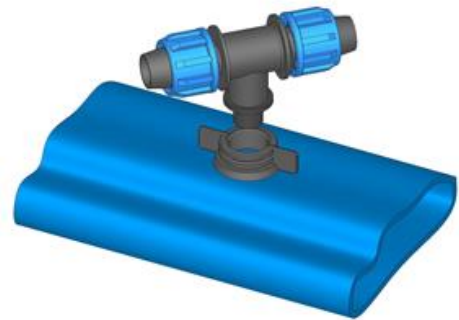
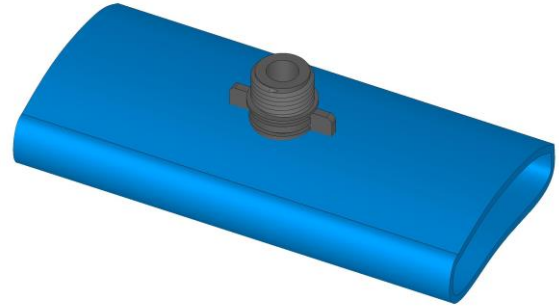
Suitable for seasonal and portable applications.

Standard starters connect directly to the drip line or tape, and might require cutting the line at the end of the season in order to roll the lay flat.

Threaded starters are for use with valves, manifolds and other connectors.

Product profile is higher and rolling the lay flat is less compact.

Suitable for permanent applications.



Applications:

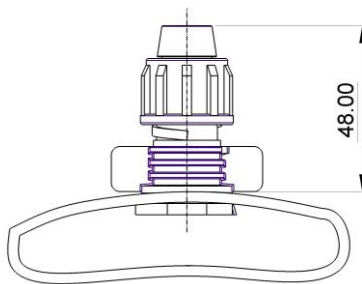
Suitable for agriculture, horticulture and portable water systems

Features:

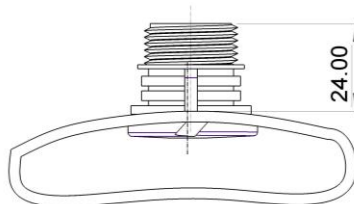
- Excellent resistance to mechanical pull:
 - Prevents accidental disconnection by people or machinery.
- Three types of connectors:
 - Super starter press fit connectors, for easy and quick assembly.
 - Their low profile enables easy rolling and compact storage of the lay flat pipes.
 - Standard starters for connecting directly to the drip line or tape.
 - Threaded starters to connect valves, manifolds and all other accessories
- U.V. protected for extended life in harsh conditions.
- P.P. connectors for high chemical resistance.
- Made with reliability, long life and durability in mind.
- Special design for inserting starter to the hole in the pipe prevents tearing and prolongs lay flat life.

Technical Specifications

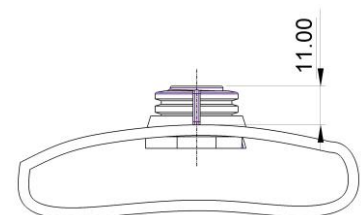
- Maximum operating pressure: 8 bars (120 psi).
- Material:
 - Acetal for barb starters
 - Polypropylene for nut/ring or threaded starters.



Tape starter



Threaded starter



Super starter

Super Starters

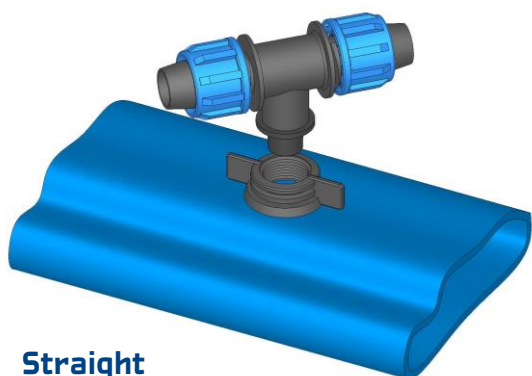
Easy press fit assembly enables dismantling the connectors at the end of the season and easy rolling the lay flat pipes.

Punch 14 mm

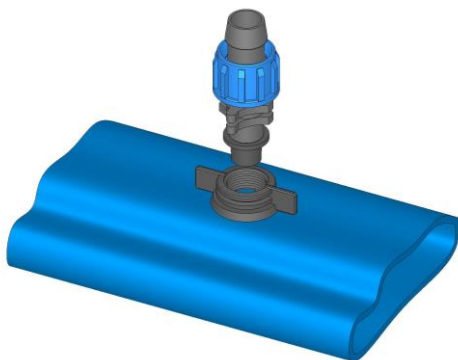
Lay Flat for tape

Available in the following configurations (for 16 mm tape):

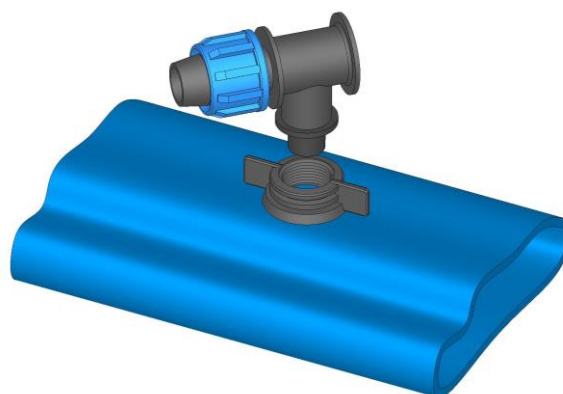
T connector



Straight



Elbow



Lay Flat for dripline or sprinklers

Available sizes: 8,10,12,16,17,20 mm

Available in straight and angle configuration.

7 mm Hex for 8,10,12

10 mm Hex for 16,17,20.

Also available for PE pipe



Standard Starters

Lay flat starter for tape

Available sizes: 16/17, 22

14 mm punch

10 mm Hex



Threaded Lay Flat starter

Available sizes: Male 3/4" outlet

Water passage: 10 mm

14 mm punch

10 mm Hex



Threaded Lay Flat starter Oversize

Water passage: 13 mm wide water passage for high flow rates

Available sizes: Male 3/8", 3/4"

19 mm punch.

12 mm Hex.



Female Lay Flat starter

Regular:

3/4" Female

14 mm punch

10 mm Hex

Oversize:

3/4" Female

19 mm punch

12 mm Hex



Lay Flat Puncher

Available sizes:
14 mm for all sizes
19 mm for over size only.



Lay Flat Driver

Available sizes:
7 mm Hex - for 8,10,12 - barb super starter
10 mm Hex - for 16,17,20 mm barb super starter,
tape super starter and regular thread.
12 mm Hex - for Lay flat oversize.



Installation Instructions

Step 1

Punch hole using LF Puncher:

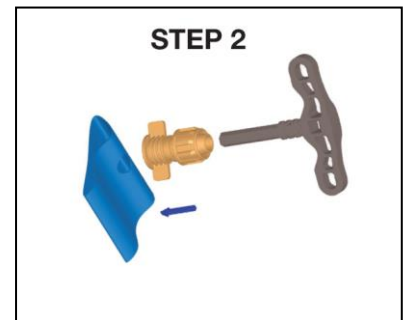
- For regular: Ø 14 mm (PUNLF14).
- For oversize (Correction fittings):
Ø 19 mm (PUNLF19).



Step 2

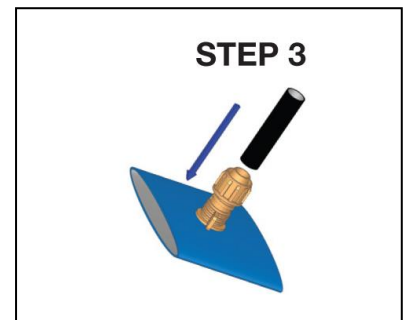
Insert Lay Flat Starter using L.F. Driver (LFDR):

- Place the fitting nook inside the hole and turn until fully inside pipe.
- Hold Driver in place and tighten wing nut by hand.
- Lay Flat barb super starter 8,10,12 mm:
Use driver code LFDR5 (7 mm Hex)
Lay flat 16,17,20 barb, super starter and tape
super starter: Use driver code LFDR (10 mm Hex)
Lay flat oversize, Use driver code LFDRB (12 mm Hex)



Step 3

Press pipe against Lay Flat body.



Step 4

Tighten nut over pipe.

