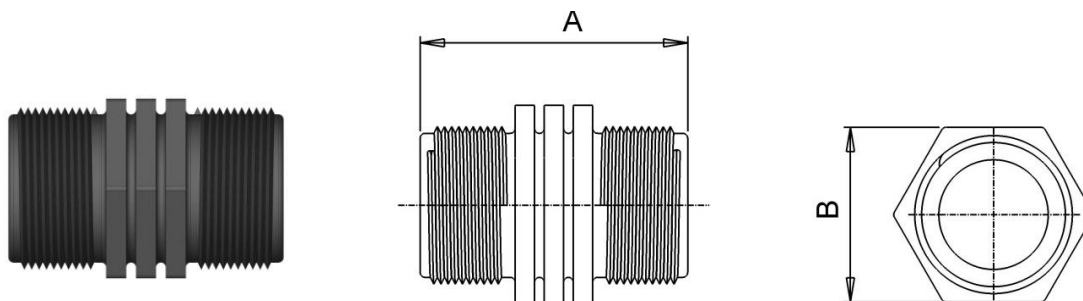


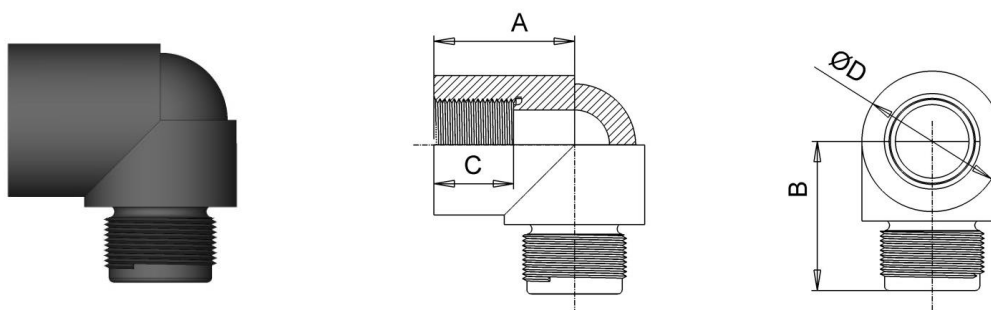
## Threaded Fittings

### Nipple - N



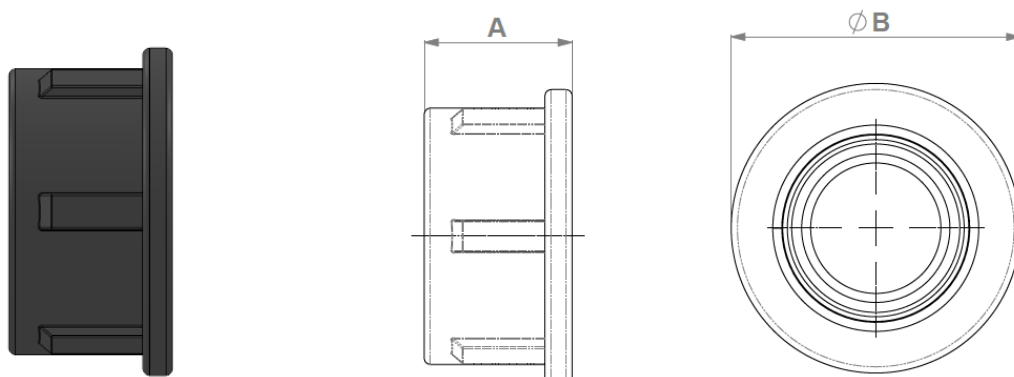
Cat. Number	Size	Metric Units (mm)		U.S. Units (inch)	
		A	B	A	B
N12	1/2"	48	25	1.89	1.00
N34	3/4"	49	29	1.93	1.14
N1	1"	55	36	2.16	1.42
N114	1 1/4"	60	48	2.36	1.89
N112	1 1/2"	60	54	2.36	2.12
N2	2"	63	63	2.48	2.48

### Elbow M/F - EMF



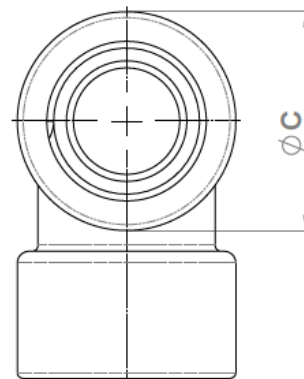
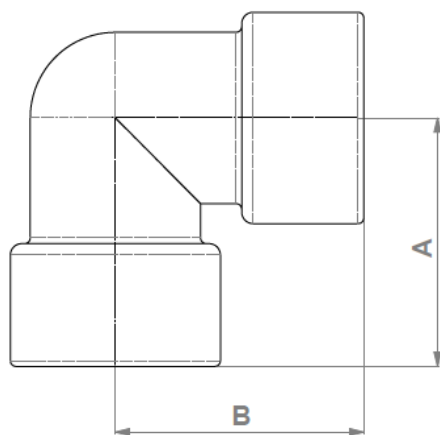
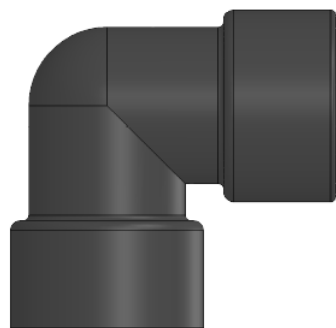
Cat. Number	Size	Metric Units (mm)				U.S. Units (inch)			
		A	B	C	D	A	B	C	D
EMF12	1/2"M X 1/2"F	30	35	18	32	1.20	1.40	0.70	1.30
EMF34	3/4"M X 3/4"F	35	37	19	34	1.40	1.50	0.80	1.30
EMF1	1"M X 1"F	38	40	19	45	1.50	1.60	0.80	1.80

## CUP



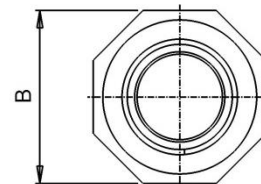
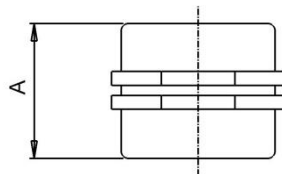
Cat. Number	Size	Metric Units (mm)		U.S. Units (inch)	
		A	B	A	B
CF12	1/2"	15	30	0.61	1.18
CF34	3/4"	19	37	0.76	1.47
CF1	1"	24	46	0.95	1.80
CF34A	3/4" NPT	19	37	0.76	1.47
CF1A	1" NPT	24	46	0.95	1.80
CF114	1 1/4"	27	55	1.10	2.2
CF112	1 1/2"	30	61	1.17	2.30
CF2	2"	32	76	1.28	3.00

## ELBOW FEMALE THREAD



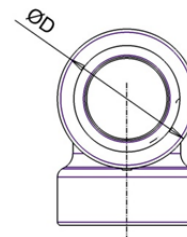
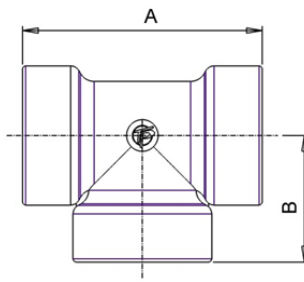
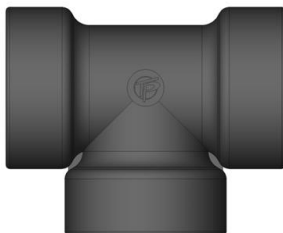
Cat. Number	Size	Metric Units (mm)			U.S. Units (inch)		
		A	B	C	A	B	C
EF12	1/2"X1/2"	31	31	29	1.22	1.22	1.20
EF34	3/4"X3/4"	37	37	36	1.48	1.48	1.44
EF1	1"X1"	42	42	44	1.72	1.72	1.75
EF114	1 1/4"X1 1/4"	50	50	52	1.99	1.99	2.06
EF112	1 1/2"X1 1/2"	53	53	58	2.08	2.08	2.32
EF2	2"X2"	56	56	72	2.23	2.23	2.82

## Female Coupling - FC



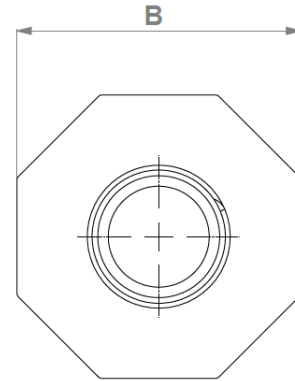
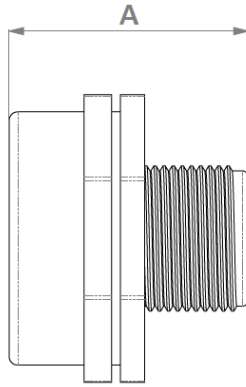
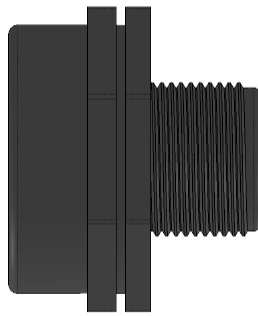
Cat. Number	Size	Metric Units (mm)		U.S. Units (inch)	
		A	B	A	B
FC12	1/2" X 1/2"	39	32	1.50	1.30
FC34	3/4" X 3/4"	39	41	1.50	1.60
FC1	1" X 1"	39	49	1.50	1.90
FC114	1 1/4" X 1 1/4"	50	52	2.00	2.10
FC112	1 1/2" X 1 1/2"	47	61	1.90	2.40
FC2	2" X 2"	46	61	1.80	2.40

## T Female Thread - TF



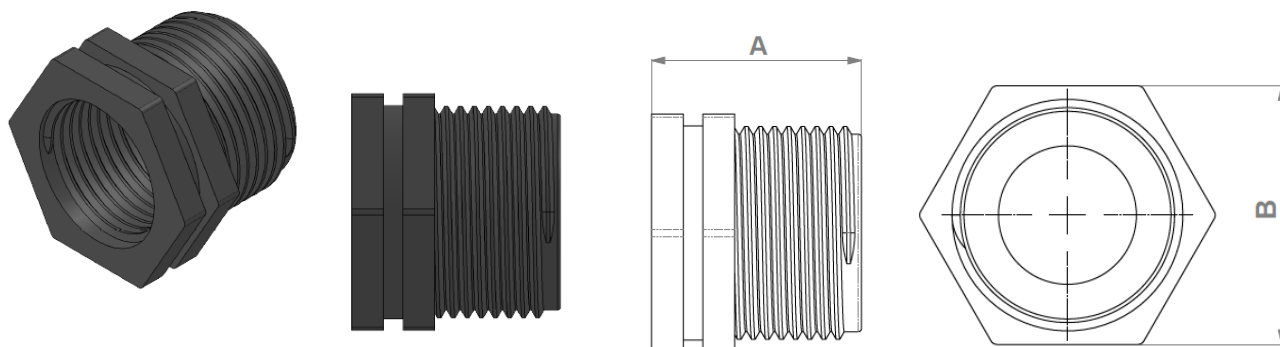
Cat. Number	Size	Metric Units (mm)		U.S. Units (inch)	
		A	B	A	B
FC12	1/2" X 1/2" X 1/2"	64	36	2.50	1.40
FC34	3/4" X 3/4" X 3/4"	78	40	3.10	1.60
FC1	1" X 1" X 1"	76	40	3.00	1.60
FC114	1 1/4" X 1 1/4" X 1 1/4"	100	56	3.90	2.20
FC112	1 1/2" X 1 1/2" X 1 1/2"	105	54	4.10	2.10
FC2	2" X 2" X 2"	119	59	4.70	2.30

## BUSHING FEMALE/MALE



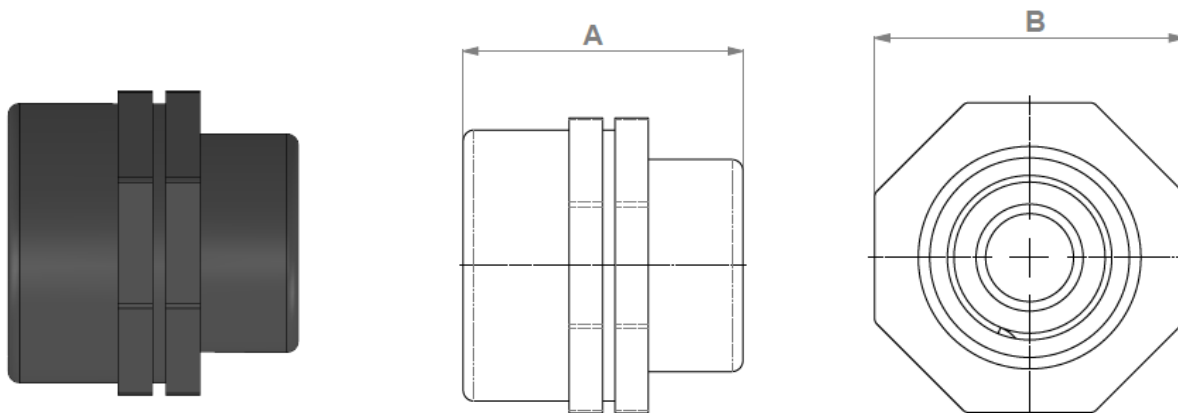
Cat. Number	Size	Metric Units (mm)		U.S. Units (inch)	
		A	B	A	B
BFM3412	1/2"MX3/4"F	40	36	1.60	1.40
BFM 34	3/4M"X3/4"F	41	41	1.60	1.60
BFM 1	1M"X1"F	44	50	1.70	2.00
BFM 1012	1/2"MX1"F	41	50	1.60	2.00
BFM 134	3/4MX1"F	42	50	1.70	2.00
BFM 112	1 1/2"MX1 1/2"F	41	50	1.60	2.00
BFM 11234	3/4"MX1 1/2"F	47	62	1.90	2.40
BFM 1121	1"MX1 1/4"F	28	53	1.10	2.10
BFM 1141	1"MX1 1/4"F"	50	52	2.00	2.10
BFM 11412	1/2"MX1 1/4"F	28	52	1.10	2.10
BFM 11434	3/4"MX1 1/4"F	47	52	1.90	2.10
BFM 112114	1 1/4"MX1 1/2"F	51	62	2.10	2.40
BFM 234	3/4"MX2"F	45	76	1.90	3.00
BFM 21	1"MX2"F	51	76	2.10	3.00
BFM 2	2"MX2"F	51	76	2.10	3.00
BFM 2112	1 1/2"MX2"F	51	76	2.10	3.00

## BUSHING MALE/FEMALE



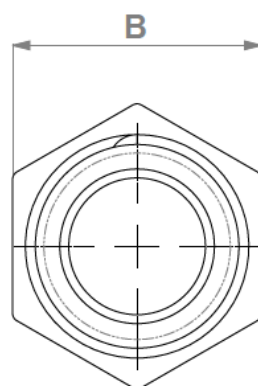
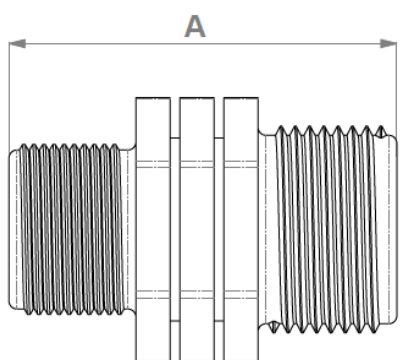
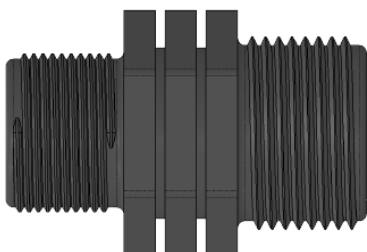
Cat. Number	Size	Metric Units (mm)		U.S. Units (inch)	
		A	B	A	B
BMF3412	3/4"MX1/2"F	28	30	1.10	1.20
BMF1012	1"MX1/2"F	28	47	1.10	1.90
BMF134	1"MX3/4"F	32	35	1.30	1.40
BMF11412	1 1/4"MX1/2"F	28	52	1.10	2.10
BMF11434	1 1/4"MX3/4"F	29	47	1.10	1.80
BMF1141	1/4"MX1"F	28	47	1.10	1.80
BMF11212	1 1/2"MX1/2"F	28	53	1.10	2.10
BMF11234	1 1/2"MX3/4"F	29	63	1.10	2.50
BMF1121	1 1/2"MX1"F	29	53	1.10	2.10
BMF112114	1 1/2"MX1 1/4"F	29	53	1.10	2.10
BMF212	2"MX1/2"F	29	63	1.10	2.50
BMF234	2"MX3/4"F	29	63	1.10	2.50
BMF21	2"MX1"F	29	63	1.10	2.50
BMF2114	2"MX1 1/4"F	29	63	1.10	2.50
BMF2112	2"MX1 1/2"F	29	63	1.10	2.50

## REDUCTION FEMALE COUPLING



Cat. Number	Size	Metric Units (mm)		U.S. Units (inch)	
		A	B	A	B
FC1234	1/2"X3/4"	39	41	1.50	1.60
FC134	1"X3/4"	38	40	1.50	1.80
FC1114	1 1/4"X1"	44	52	1.70	2.10
FC1112	1"X1 1/2"	44	61	1.70	2.40
FC11234	3/4"X1 1/2"	40	61	1.60	2.40
FC112114	1 1/2"X1 1/4"	48	61	1.90	2.40
FC234	2"X3/4"	30	75	1.20	3.00
FC21	2"X1"	46	75	1.80	3.00
FC2114	2"X1 1/4"	49	75	2.00	3.00
FC2112	2"X1 1/2"	50	75	2.00	3.00

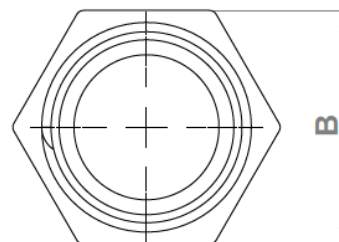
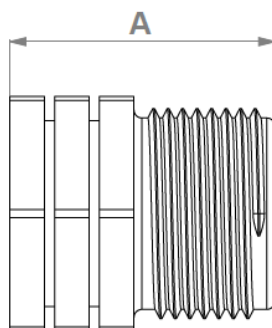
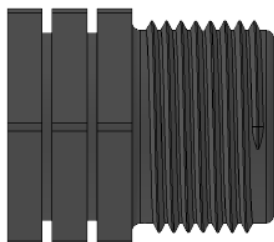
## REDUCTION NIPPLE



Cat. Number	Size	Metric Units (mm)		U.S. Units (inch)	
		A	B	A	B
N1234	1/2"X3/4"	48	29	1.90	1.30
N1012	1"X1/2"	55	29	2.20	1.30
N134	1"X3/4"	55	36	2.20	1.40
N1114	1"X1 1/4"	58	47	2.30	1.80
N1112	1"X1 1/2"	58	54	2.30	2.20
N11212	1 1/2"X1 1/2"	53	54	2.10	2.20
N11434	1 1/4"X3/4"	53	47	2.10	1.90
N114112	1 1/4"X1 1/2"	58	54	2.30	2.20
N21	2"X1"	58	64	2.30	2.50
N2114	2"X1 1/4"	58	64	2.30	2.50
N2112	2"X1 1/2"	58	64	2.30	2.50



## PLUG / END LINE



Cat. Number	Size	Metric Units (mm)		U.S. Units (inch)	
		A	B	A	B
PM12	1/2"	33	25	1.28	0.98
PM34	3/4"	33	29	1.23	1.14
PM1	1"	35	36	1.38	1.42
PM114	1 1/4"	38	48	1.50	1.87
PM112	1 1/2"	39	54	1.53	2.14
PM2	2"	39	64	1.55	2.53